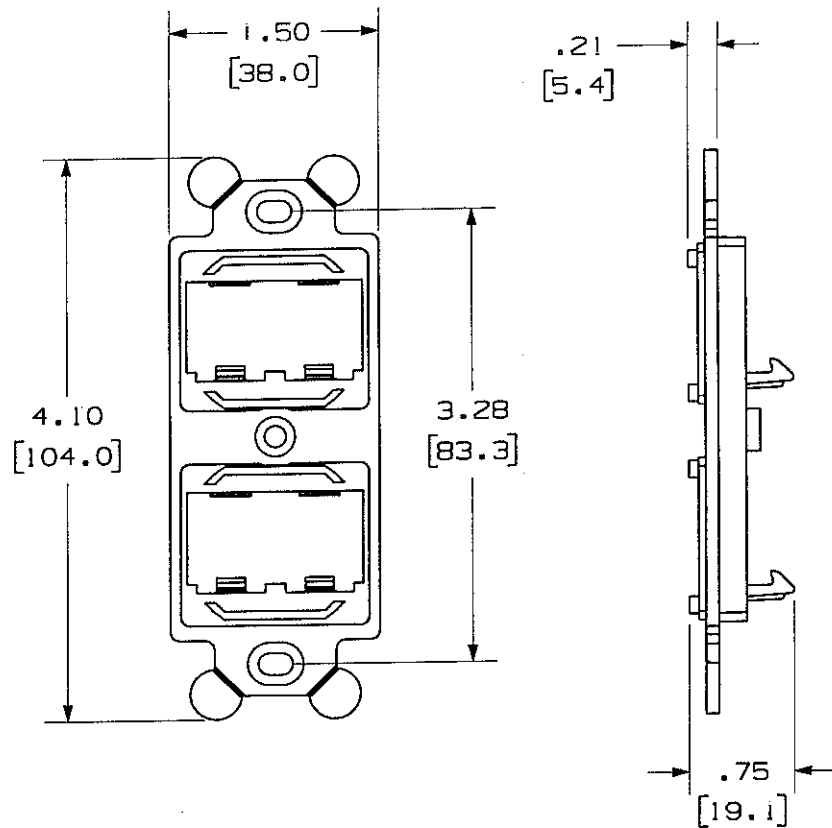
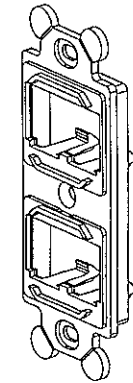


THIS COPY IS PROVIDED ON A RESTRICTED BASIS AND IS NOT TO BE USED IN ANY WAY DETRIMENTAL TO THE INTERESTS OF PANDUIT CORP.



PANDUIT P/N	WEIGHT
CF1064**Y	.29 LB/10 PCS (131.5 g/10 PCS)

- NOTES:
- SEE CURRENT CATALOG FOR ADDITIONAL PART NUMBER SUFFIXES TO INDICATE COLOR AND OR PACKAGE QUANTITY.
 - SEE CATALOG FOR COMPLETE LIST OF PARTS APPLICABLE FOR USE WITH THIS PART.
 - DIMENSIONS IN PARENTHESES ARE IN METRIC.
 - CF1064** INCLUDES:
1- 106 FRAME
2- MOUNTING SCREW



MODEL FILENAME	D35461BC_CM106F4_SLA_00.PRT	SIZE	A
DRAWING FILENAME	M02479GS_DC177_00A.PRT		

MINI-COM 4 POSITION "106"
SERIES FRAME CUSTOMER DRAWING

NETWORK SYSTEMS
MAY 25 2006
ENGINEERING DEPT



ALL DIMENSIONS ARE GIVEN IN INCHES, UNLESS OTHERWISE SPECIFIED.
DIMENSIONAL TOLERANCES ARE:
[.X] ± [XXX] ± .010(.3)
[.XX] ± .031(.8) ANGLES ±

THIRD ANGLE PROJECTION
DRAWN BY JsP
DATE 4-26-06

MATERIAL: ABS

1:1 NUMBER	N/A
PRODUCT SPEC	N/A
WORK INSTRUCTION	N/A
SCALE	NONE
PART NO.	CF1064**Y
DRAWING NO.	02479-177

REV	DATE	BY	CHK	DESCRIPTION	ECN	R	CUST	SUP	OTH
R	4-26-06	JsP	MD	RELEASED TO PRODUCTION	02479-177	MD	MD		